

# CONFIX™ SH conduit clips

for split cable protection conduits CONFiX™ WST



RoHS  
compliant

REACH  
COMPLIANCE

CONFIX™ SH Conduit clips are a one-piece clamping system to provide secure mounting points for corrugated conduit systems.

The clips are secured to their mounting position through a central mounting point with a hexagonal counter-bore.

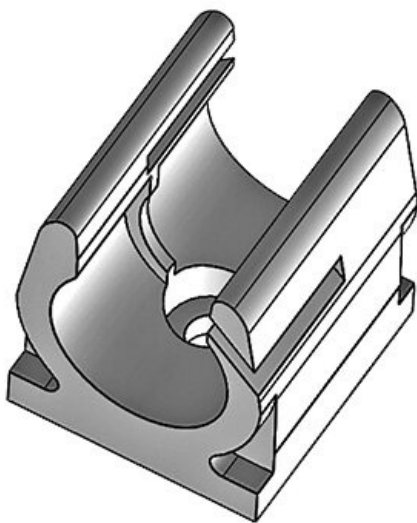
## Specifications

<b>Material</b>	Polyamide
<b>Flame class</b>	UL94-V2
<b>Operating temperature</b>	-40 C° to 140 C°
<b>Properties</b>	silicone free, halogen free
<b>Mounting options</b>	Screw type mounting

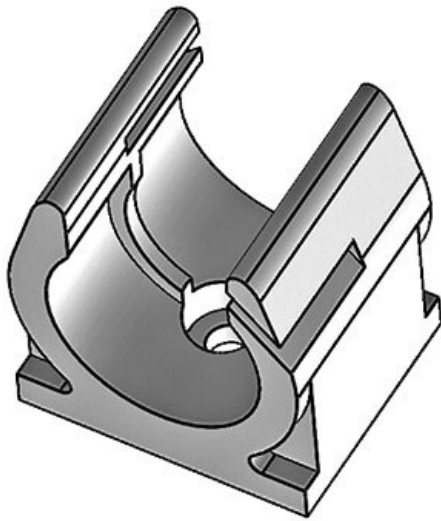
## Advantages & benefits

## Product types & sizes

CONFIX™ SH 10

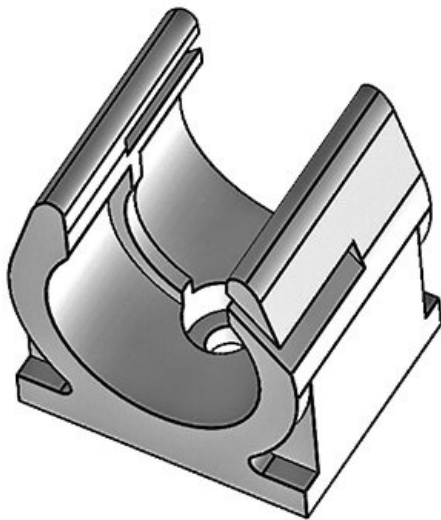


Part No.	<b>31300</b>	No. of screw	<b>1</b>
EAN	<b>4251269300</b>	holes	
	<b>134</b>	Diam. of screw	<b>4,5 mm</b>
Package quantity	<b>10</b>	holes	
Length	<b>20 mm</b>		
Width	<b>18 mm</b>		
Height	<b>21 mm</b>		
Nominal size	<b>NW 10</b>		



Part No.	<b>31310</b>	No. of screw	<b>1</b>
EAN	<b>4251269300</b>	holes	
	<b>141</b>	Diam. of screw	<b>4,5 mm</b>
Package quantity	<b>10</b>	holes	
Length	<b>20 mm</b>		
Width	<b>24 mm</b>		
Height	<b>26 mm</b>		
Nominal size	<b>NW 14</b>		

| |

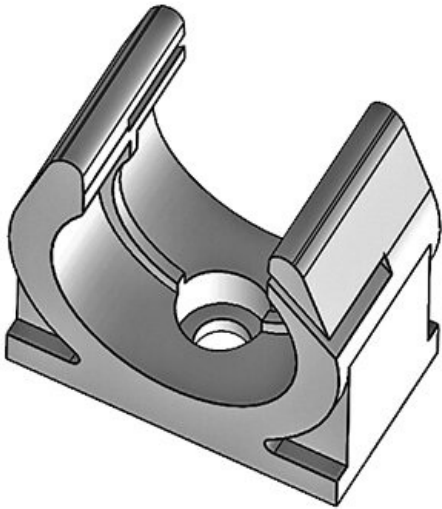


Part No.	<b>31315</b>	No. of screw	<b>1</b>
EAN	<b>4251269322</b>	holes	
	<b>464</b>	Diam. of screw	<b>6,5 mm</b>
Package quantity	<b>10</b>	holes	
Length	<b>20 mm</b>		
Width	<b>30 mm</b>		
Height	<b>35 mm</b>		
Nominal size	<b>NW 16</b>		

| |

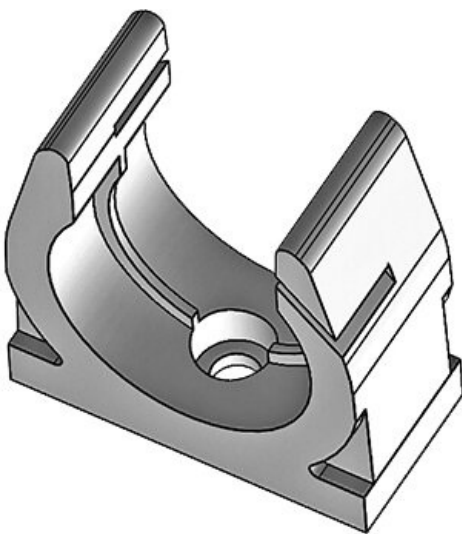
**CONFIG™ SH 20**

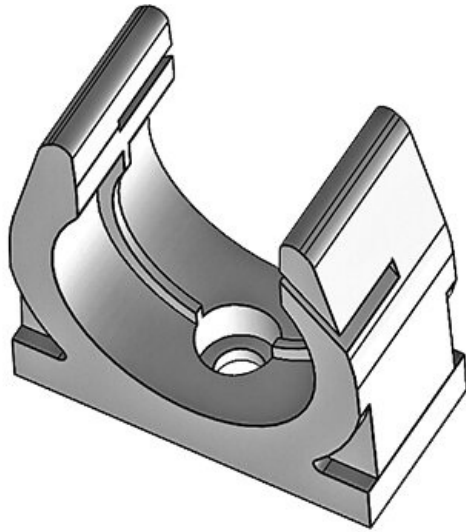
Part No.	<b>31320</b>	No. of screw	<b>1</b>
EAN	<b>4251269300</b>	holes	
	<b>158</b>	Diam. of screw	<b>5,5 mm</b>
Package quantity	<b>10</b>	holes	
Length	<b>20 mm</b>		
Width	<b>35 mm</b>		
Height	<b>35 mm</b>		
Nominal size	<b>NW 20</b>		



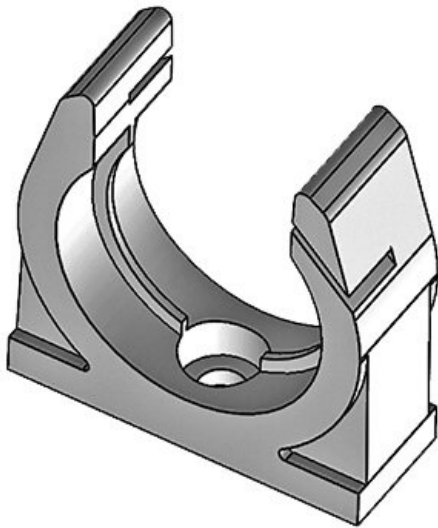
**CONFIG™ SH 23**

Part No.	<b>31330</b>	No. of screw	<b>1</b>
EAN	<b>4251269300</b>	holes	
	<b>165</b>	Diam. of screw	<b>5,5 mm</b>
Package quantity	<b>10</b>	holes	
Length	<b>20 mm</b>		
Width	<b>42 mm</b>		
Height	<b>44 mm</b>		
Nominal size	<b>NW 23</b>		





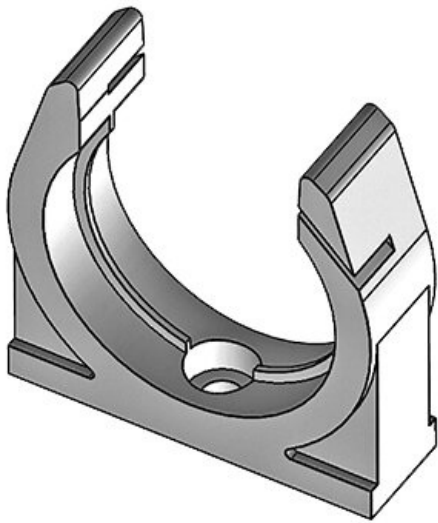
Part No.	<b>31335</b>	No. of screw	<b>1</b>
EAN	<b>4251269319</b>	holes	
	<b>068</b>	Diam. of screw	<b>5,5 mm</b>
Package quantity	<b>10</b>	holes	
Length	<b>20 mm</b>		
Width	<b>48 mm</b>		
Height	<b>48,5 mm</b>		
Nominal size	<b>NW 29</b>		



Part No.	<b>31340</b>	No. of screw	<b>1</b>
EAN	<b>4251269300</b>	holes	
	<b>172</b>	Diam. of screw	<b>7,1 mm</b>
Package quantity	<b>10</b>	holes	
Length	<b>20 mm</b>		
Width	<b>55 mm</b>		
Height	<b>56,5 mm</b>		
Nominal size	<b>NW 37</b>		

**CONFIX™ SH 45**

Part No.	<b>31350</b>	No. of screw	<b>1</b>
EAN	<b>4251269300</b>	holes	
	<b>189</b>	Diam. of screw	<b>7,1 mm</b>
Package quantity	<b>10</b>	holes	
Length	<b>20 mm</b>		
Width	<b>67 mm</b>		
Height	<b>68 mm</b>		
Nominal size	<b>NW 45</b>		



**CONFIX™ SH 70**

Part No.	<b>31360</b>	No. of screw	<b>1</b>
EAN	<b>4251269300</b>	holes	
	<b>196</b>	Diam. of screw	<b>7,1 mm</b>
Package quantity	<b>10</b>	holes	
Length	<b>20 mm</b>		
Width	<b>100 mm</b>		
Height	<b>101 mm</b>		
Nominal size	<b>NW 70</b>		

